

Novagate

A minimalistic antenna with great performance

Novagate – an excellent choice when a high detection range and a narrow footprint are required. Its discreet and slim design matches perfectly with the store interior.

You have the choice to add metal detection as a feature.



Main features

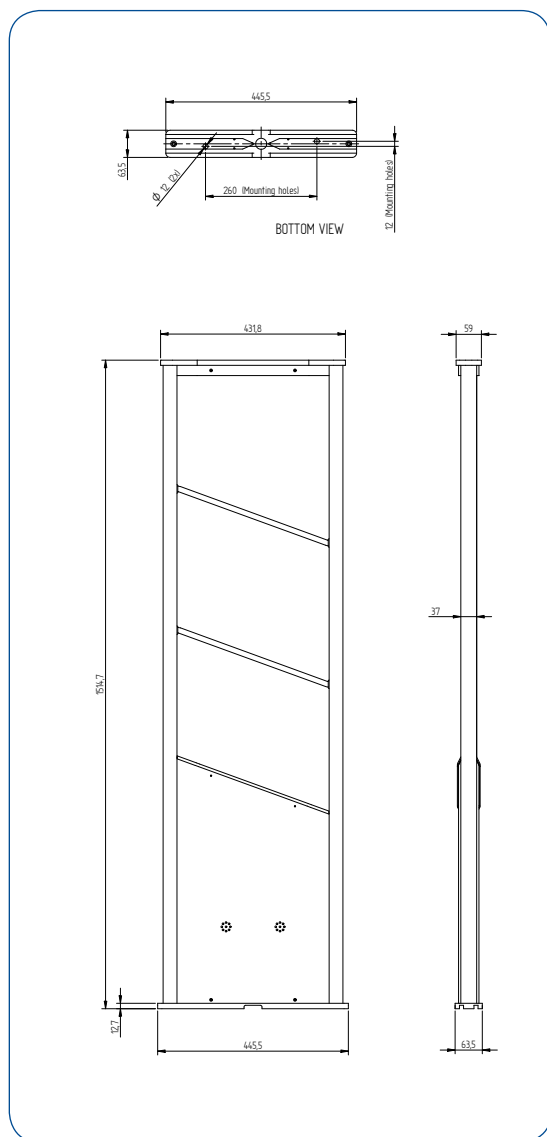
- Anodized aluminium frames
- Swedish design
- Swept system
- Optimal detection

Optional features

- Metal detection
- Gatenet compatible
- Remote service
Feature for technical service carried out off-site at minimum cost.



Novagate



Article no

| | |
|-----------------|----------|
| Novagate | 3078 |
| Metal detection | 3078-MDG |

Specifications

| | |
|--------------------|-------------|
| Width | 446mm |
| Height | 1515mm |
| Thickness | 49mm |
| Thickness at base | 64mm |
| Weight (system) | 18kg |
| Standard frequency | 8.2MHZ |
| Approvals | CE, FCC, UL |

Detection range^{a)}/aisle width

| | |
|-------------------|------------|
| Galaxy Midi | Up to 2.1m |
| Mini Square | Up to 2m |
| Polar Tag | Up to 1.9m |
| Slim Tag | Up to 1.8m |
| Paper label (4x4) | Up to 1.8m |

a) Tested with Gateway tags in different orientations. Effective rate of detection is influenced by the store environment.

Authorized Dealer:



Gunnebo Gateway AB is a Swedish supplier of anti-theft systems for the retail sector worldwide. We are the only company to develop, manufacture and market solutions built on every existing form of Electronic Article Surveillance (EAS) technology. This encompasses RF, AM, EM and even the unique RM, a combination of RF and EM technology.